



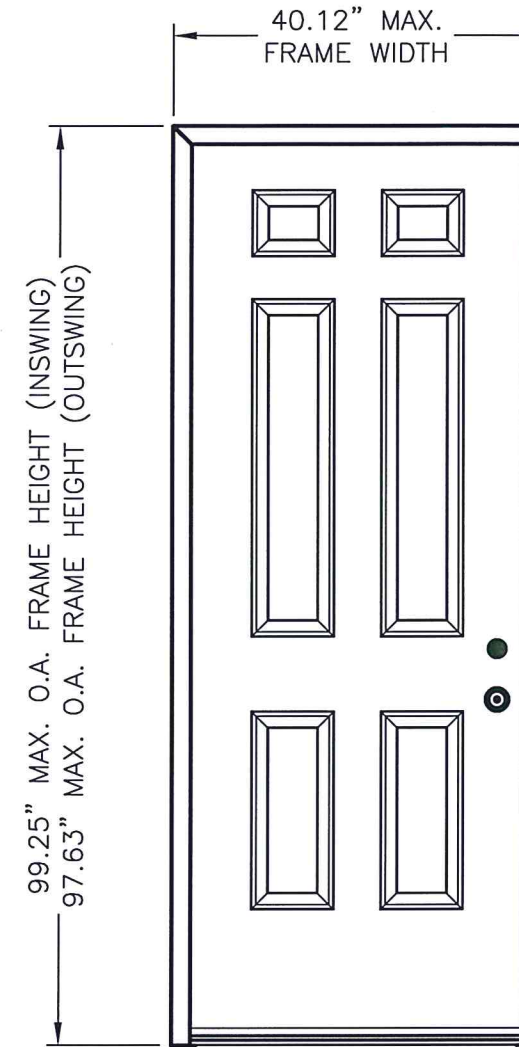
868 MURRAY ROAD, DOTHAN, AL 36303

"REDIFRAME PD" HOLLOW METAL FRAME IN SWING / OUT SWING "IMPACT"

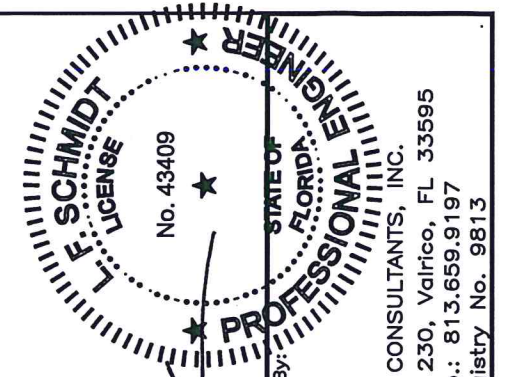
GENERAL NOTES

1. This product has been evaluated and is in compliance with the 7th Edition (2020) Florida Building Code (FBC) structural requirements excluding the "High Velocity Hurricane Zone" (HVHZ).
2. Product anchors shall be as listed and spaced as shown on details. Anchor embedment to base material shall be beyond wall dressing or stucco.
3. When used in areas requiring wind borne debris protection this product complies with FBC Sections 1609.1.2 & R301.2.1.2 and does not require an impact resistant covering. This product meets missile level "D" and includes Wind Zone 4 as defined in ASTM E 1996 and FBC Sections 1609.1.2.2 & R301.2.1.2.1.
4. Site conditions that deviate from the details of this drawing require further engineering analysis by a licensed engineer or registered architect.

| TABLE OF CONTENTS | |
|-------------------|--|
| SHEET # | DESCRIPTION |
| 1 | TYPICAL ELEVATIONS, DESIGN PRESSURES & GENERAL NOTES |
| 2 | DOOR PANEL DETAILS (Taylor steel door) |
| 3 | DOOR PANEL DETAILS (JELD-WEN steel door) |
| 4 | DOOR PANEL DETAILS (Masonite steel door) |
| 5 | HORIZONTAL & VERTICAL CROSS SECTIONS |
| 6 | FRAME ANCHORING |
| 7 | BILL OF MATERIALS & COMPONENTS |



| DOOR TYPE | OA FRAME DIMENSION | | DESIGN PRESSURE | | | |
|---------------------|--------------------|-----------|-----------------|----------|-----------|----------|
| | IN SWING | OUT SWING | IN SWING | | OUT SWING | |
| | | | POSITIVE | NEGATIVE | POSITIVE | NEGATIVE |
| TAYLOR STEEL DOOR | 40.12" | 40.12" | +60.0 | -65.0 | +60.0 | -60.0 |
| JELD-WEN STEEL DOOR | x | x | +65.0 | -65.0 | +65.0 | -65.0 |
| MASONITE STEEL DOOR | 99.25" | 97.63" | +55.0 | -60.0 | +55.0 | -55.0 |

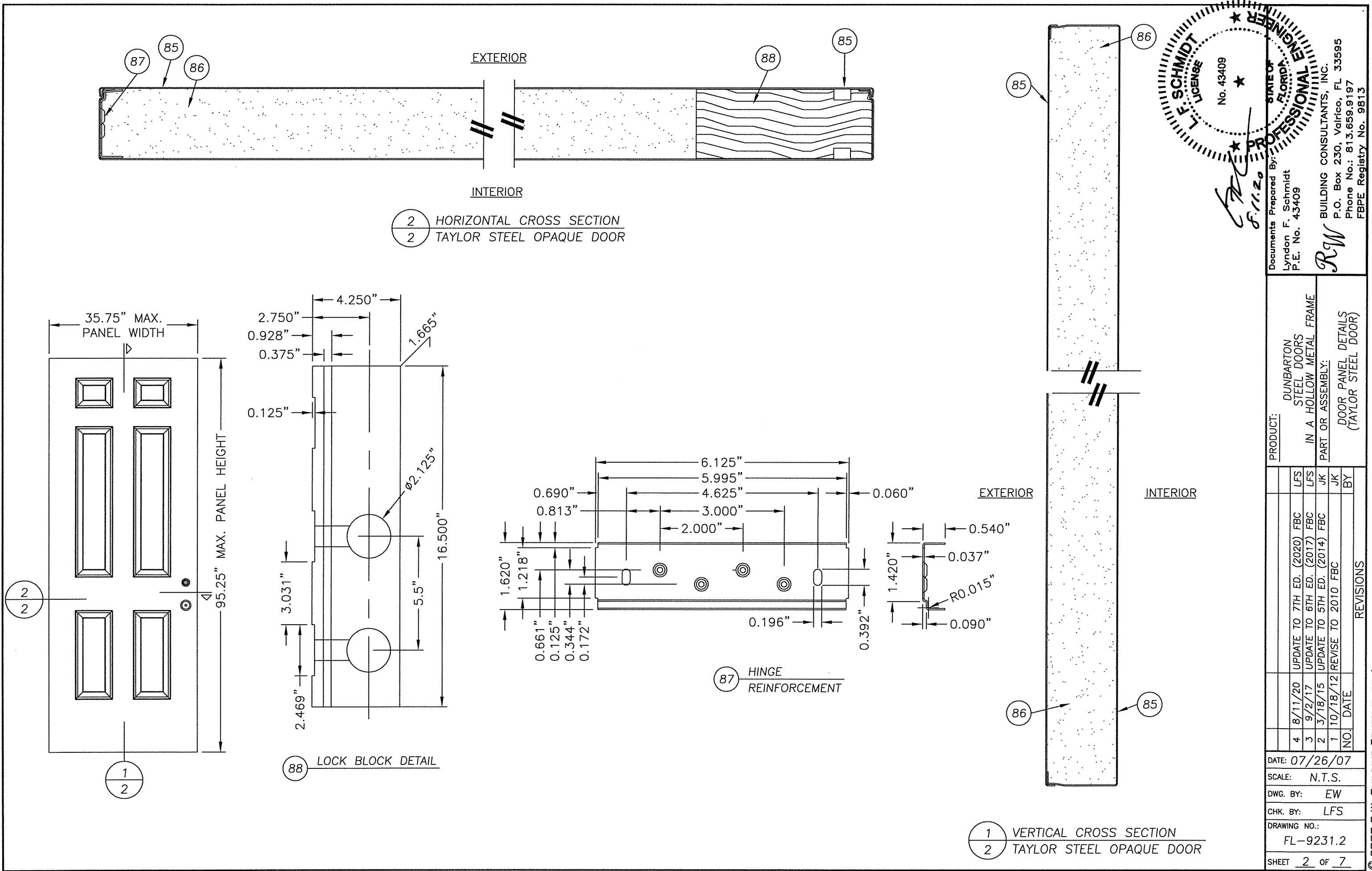


Documents Prepared By: *LFS*
Lyndon F. Schmidt
P.E. No. 43409
8.11.20

PRODUCT: DUNBARTON STEEL DOORS IN A HOLLOW METAL FRAME PART OR ASSEMBLY:
TYPICAL ELEVATIONS, DESIGN PRESSURES & GENERAL NOTES

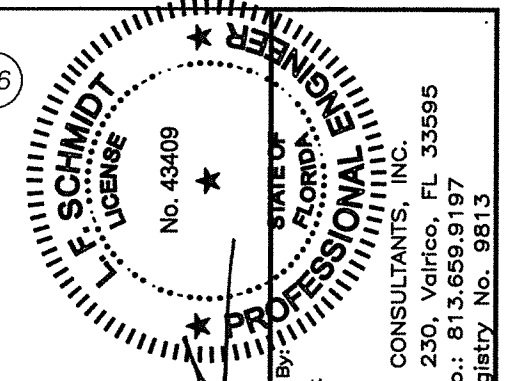
| NO. | DATE | REVISIONS |
|-----|----------|------------------------------|
| 4 | 8/11/20 | UPDATE TO 7TH ED. (2020) FBC |
| 3 | 9/2/17 | UPDATE TO 6TH ED. (2017) FBC |
| 2 | 3/18/15 | UPDATE TO 5TH ED. (2014) FBC |
| 1 | 10/18/12 | REVISE TO 2010 FBC |

DATE: 07/26/07
SCALE: N.T.S.
DWG. BY: EW
CHK. BY: LFS
DRAWING NO.: FL-9231.2
SHEET 1 OF 7



2 HORIZONTAL CROSS SECTION
2 TAYLOR STEEL OPAQUE DOOR

1 VERTICAL CROSS SECTION
2 TAYLOR STEEL OPAQUE DOOR

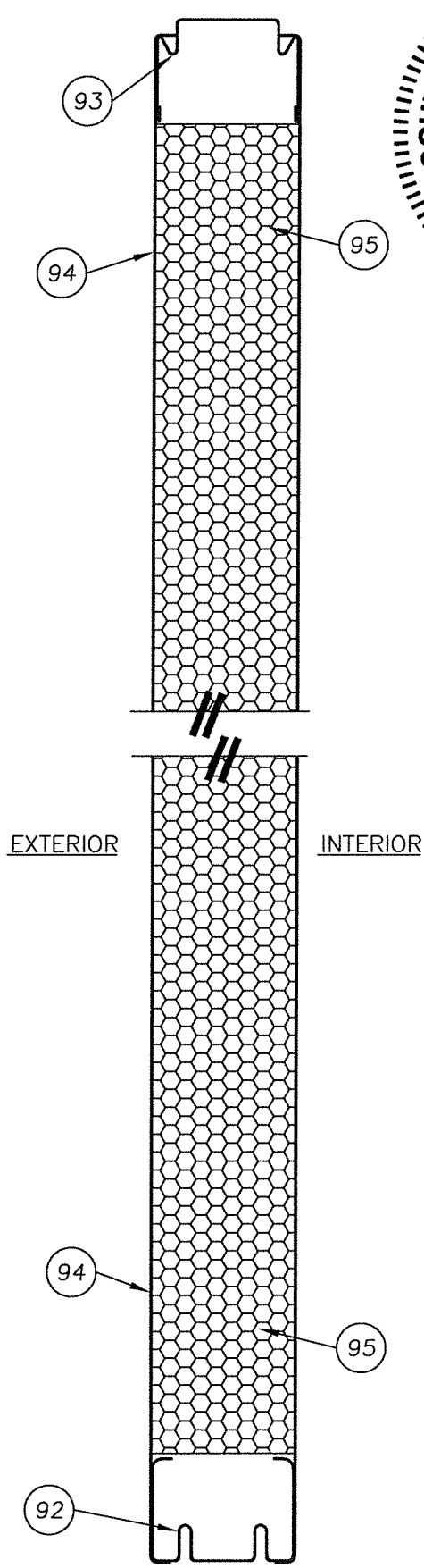
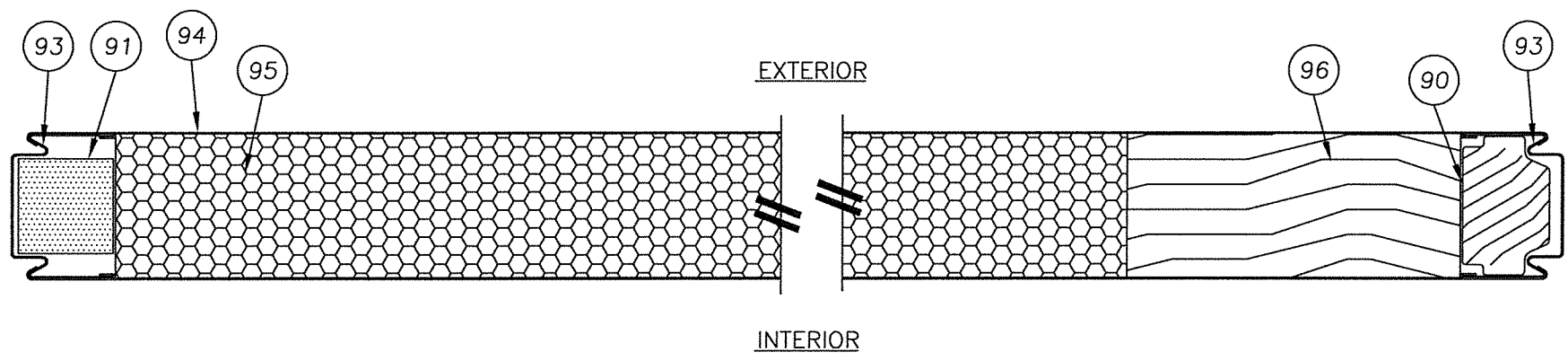
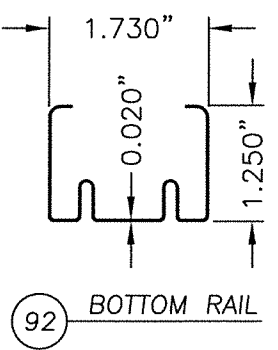
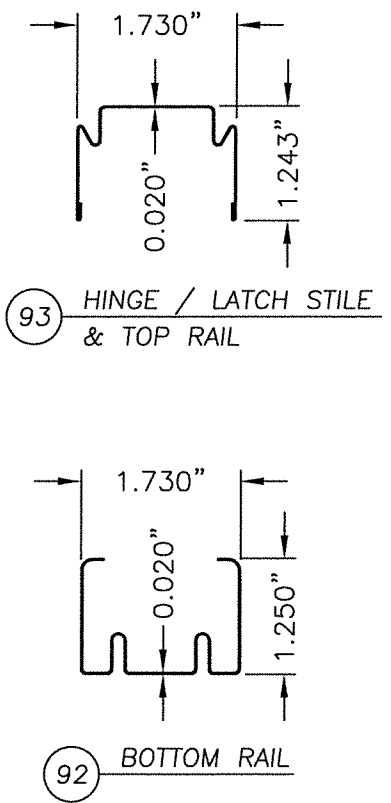
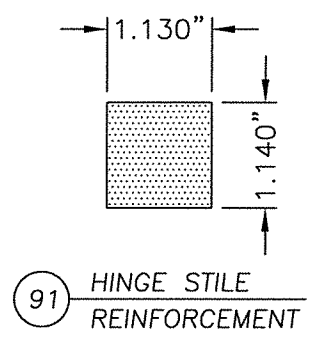
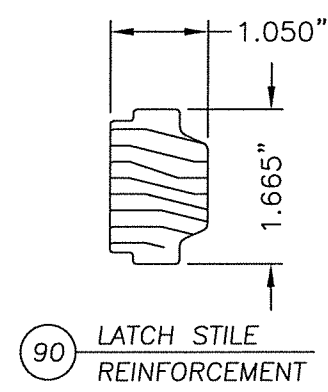
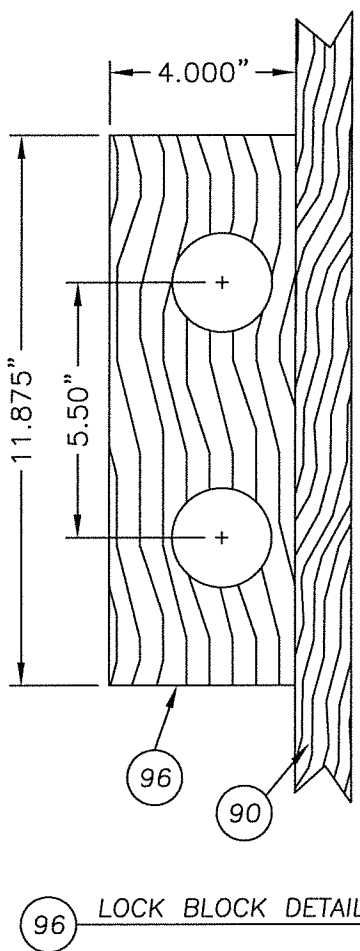
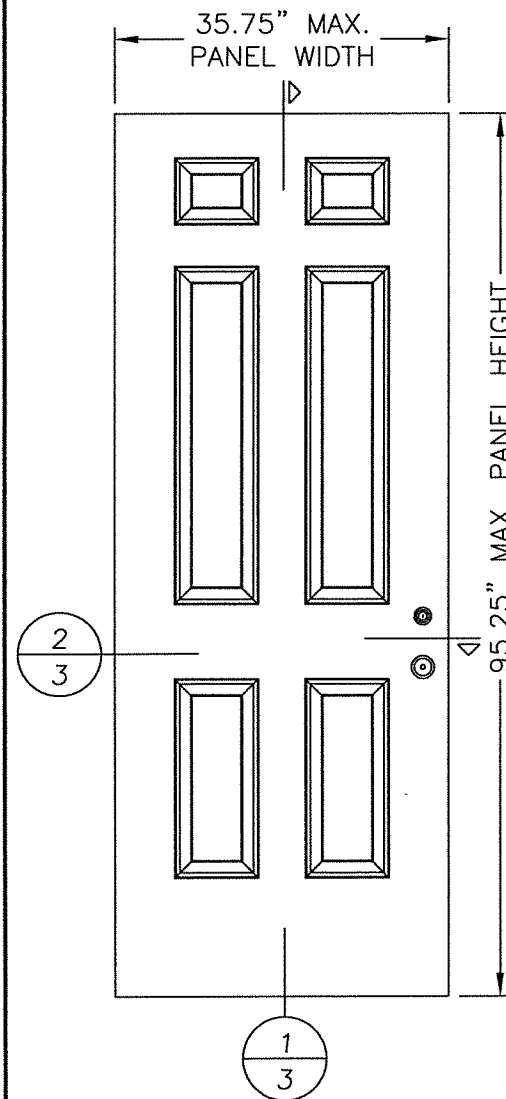


Documents Prepared By:
Lyndon F. Schmidt
P.E. No. 43409
R.W.
BUILDING CONSULTANTS, INC.
P.O. Box 230, Valrico, FL 33595
Phone No.: 813.659.9197
FBPE Registry No. 9813

PRODUCT:
DUNBARTON
STEEL DOORS
IN A HOLLOW METAL FRAME
PART OR ASSEMBLY:
DOOR PANEL DETAILS
(TAYLOR STEEL DOOR)

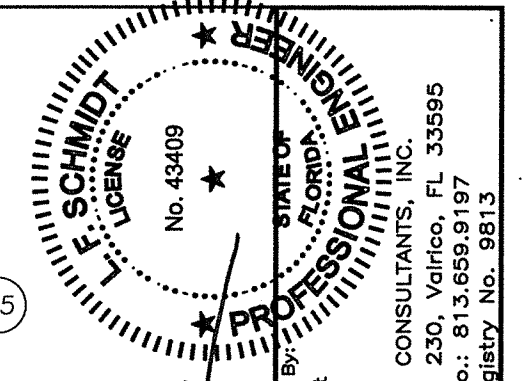
| NO. | DATE | REVISIONS |
|-----|----------|------------------------------|
| 4 | 8/11/20 | UPDATE TO 7TH ED. (2020) FBC |
| 3 | 9/2/17 | UPDATE TO 6TH ED. (2017) FBC |
| 2 | 3/18/15 | UPDATE TO 5TH ED. (2014) FBC |
| 1 | 10/18/12 | REVISE TO 2010 FBC |

DATE: 07/26/07
SCALE: N.T.S.
DWG. BY: EW
CHK. BY: LFS
DRAWING NO.: FL-9231.2
SHEET 2 OF 7



2 HORIZONTAL CROSS SECTION
3 JELD-WEN STEEL OPAQUE DOOR

1 VERTICAL CROSS SECTION
3 JELD-WEN STEEL OPAQUE DOOR

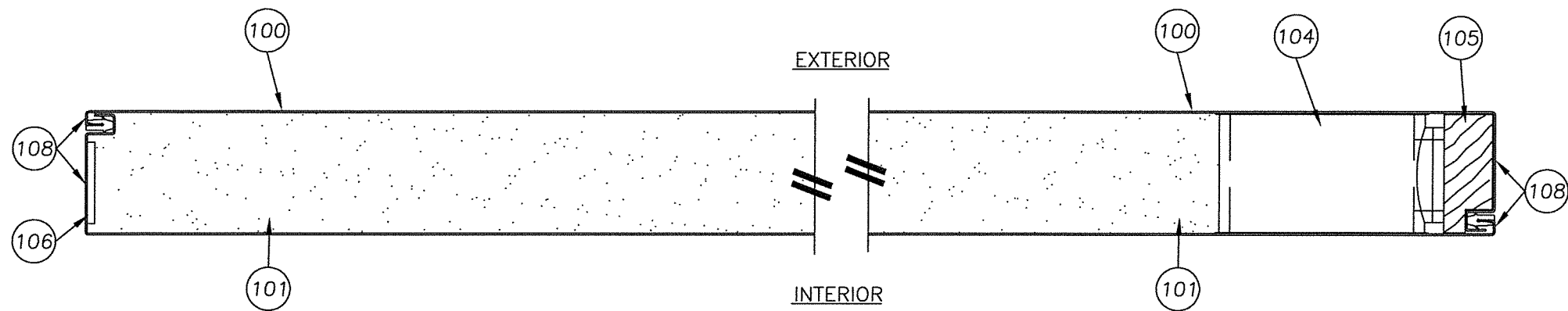


Documents Prepared By:
Lyndon F. Schmidt
P.E. No. 43409
P. 11.20
R.W. BUILDING CONSULTANTS, INC.
P.O. Box 230, Valrico, FL 33595
Phone No.: 813.659.9197
FBPE Registry No. 9813

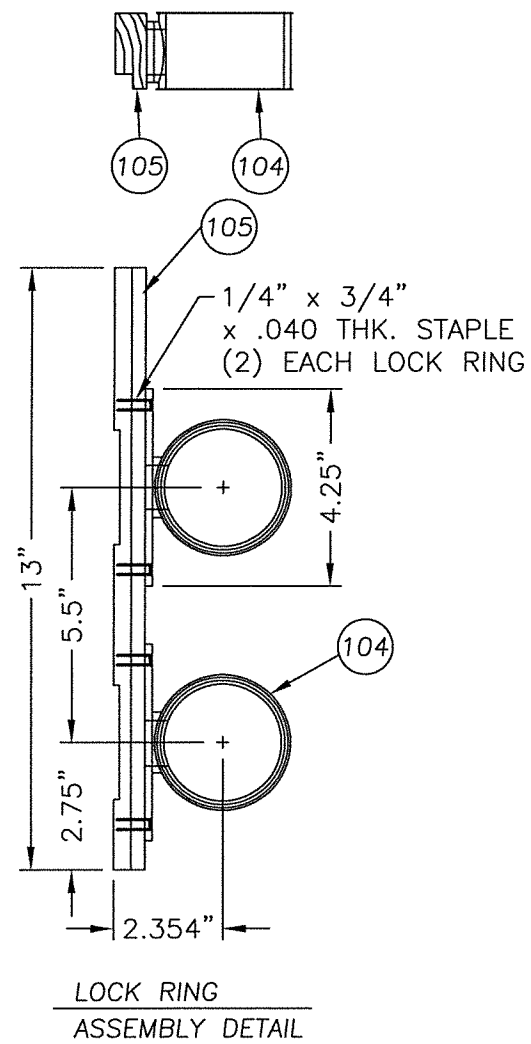
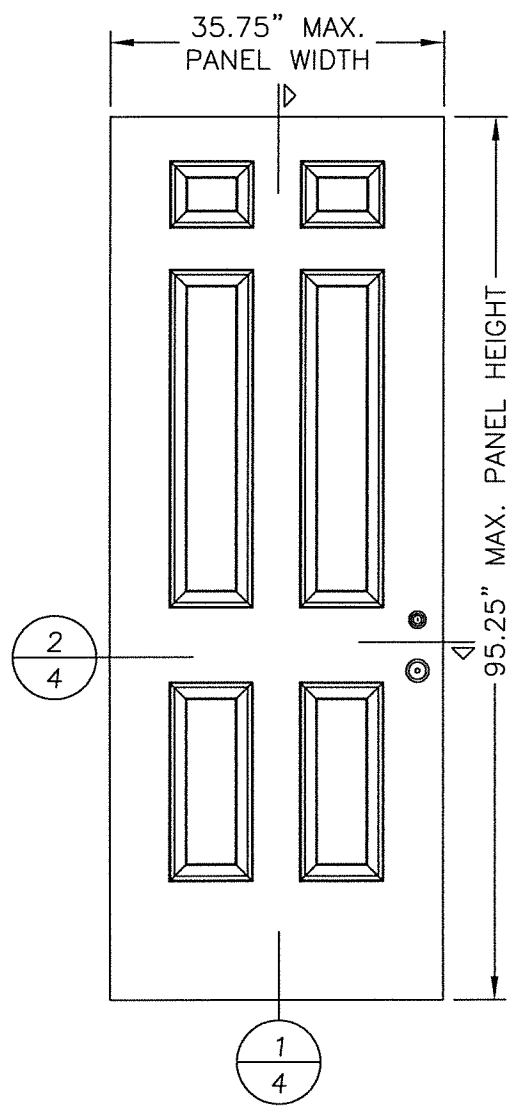
PRODUCT:
DUNBARTON STEEL DOORS
IN A HOLLOW METAL FRAME
PART OR ASSEMBLY:
DOOR PANEL DETAILS
(JELD-WEN STEEL DOOR)

| NO. | DATE | REVISIONS | BY |
|-----|----------|------------------------------|-----|
| 4 | 8/11/20 | UPDATE TO 7TH ED. (2020) FBC | LFS |
| 3 | 9/2/17 | UPDATE TO 6TH ED. (2017) FBC | LFS |
| 2 | 3/18/15 | UPDATE TO 5TH ED. (2014) FBC | JK |
| 1 | 10/18/12 | REVISE TO 2010 FBC | JK |

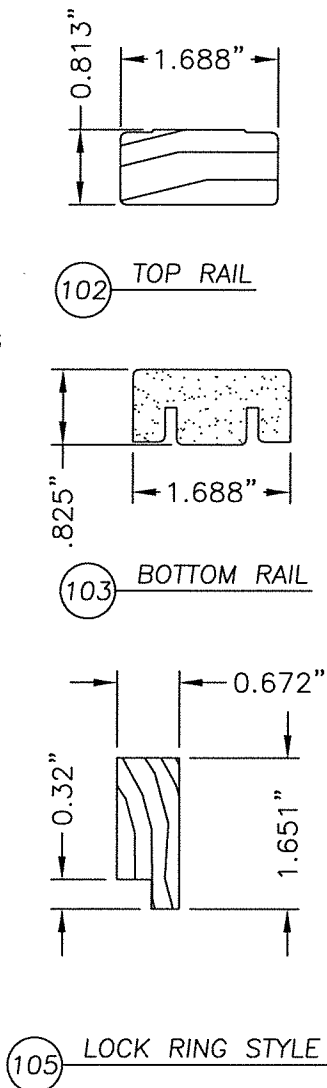
DATE: 07/26/07
SCALE: N.T.S.
DWG. BY: EW
CHK. BY: LFS
DRAWING NO.: FL-9231.2
SHEET 3 OF 7



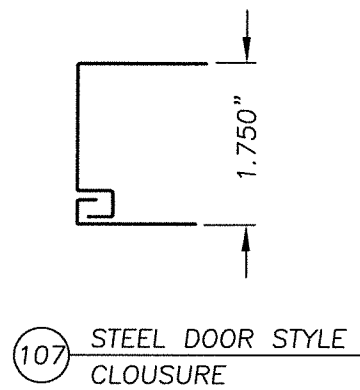
2 HORIZONTAL CROSS SECTION
4 MASONITE STEEL OPAQUE DOOR



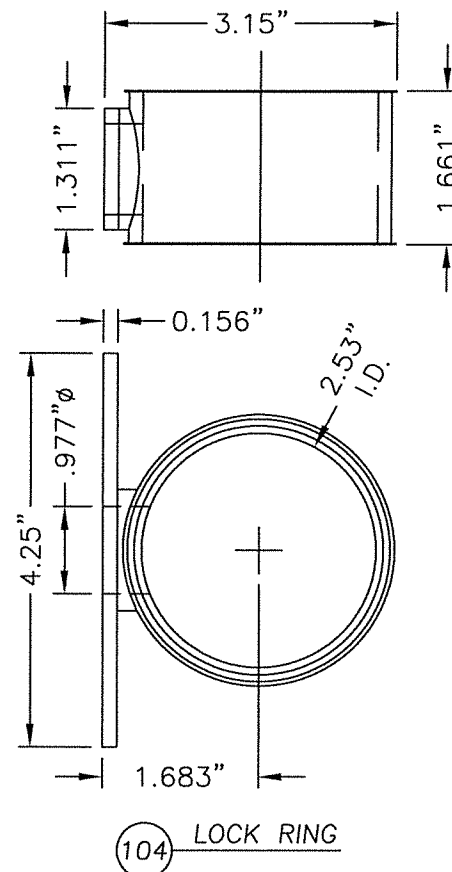
LOCK RING
ASSEMBLY DETAIL



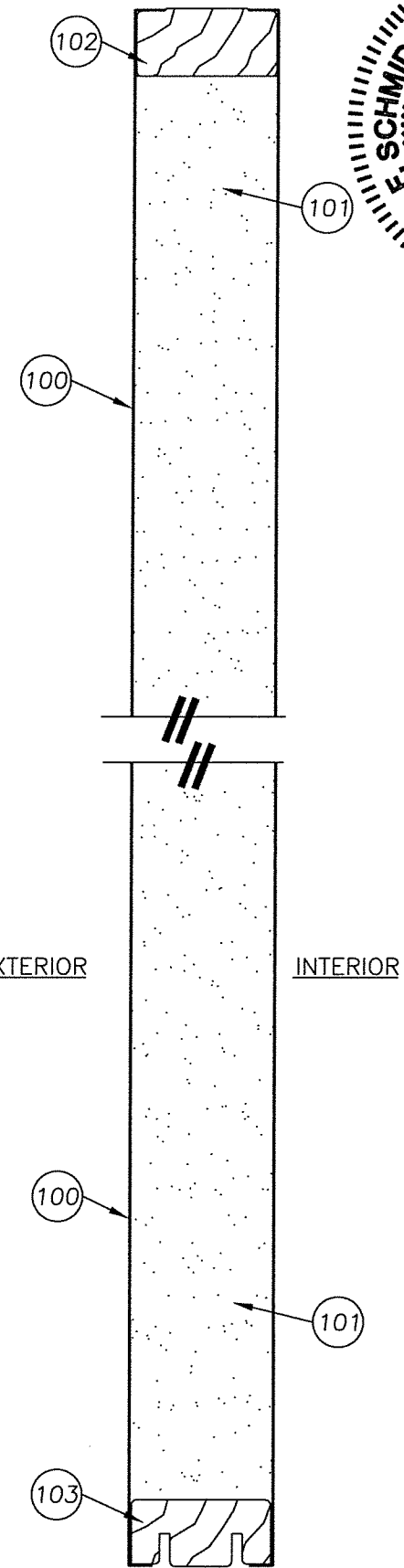
105 LOCK RING STYLE



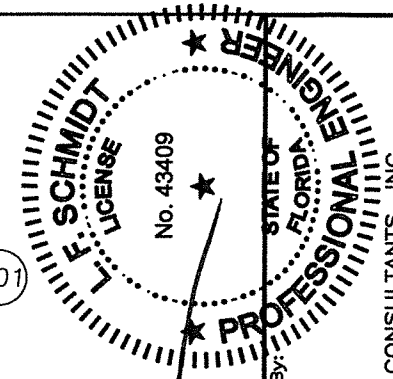
107 STEEL DOOR STYLE
CLOSURE



104 LOCK RING



1 VERTICAL CROSS SECTION
4 MASONITE STEEL OPAQUE DOOR



Documents Prepared By:
Lyndon F. Schmidt
P.E. No. 43409

RW BUILDING CONSULTANTS, INC.
P.O. Box 230, Valrico, FL 33595
Phone No.: 813.659.9197
FBPE Registry No. 9813

PRODUCT:
DUNBARTON
STEEL DOORS
IN A HOLLOW METAL FRAME
PART OR ASSEMBLY:
DOOR PANEL DETAILS
(MASONITE STEEL DOOR)

| NO. | DATE | REVISIONS |
|-----|----------|------------------------------|
| 4 | 8/11/20 | UPDATE TO 7TH ED. (2020) FBC |
| 3 | 9/2/17 | UPDATE TO 6TH ED. (2017) FBC |
| 2 | 3/18/15 | UPDATE TO 5TH ED. (2014) FBC |
| 1 | 10/18/12 | REVISE TO 2010 FBC |
| | | BY |
| | | JK |
| | | LFS |

DATE: 07/26/07

SCALE: N.T.S.

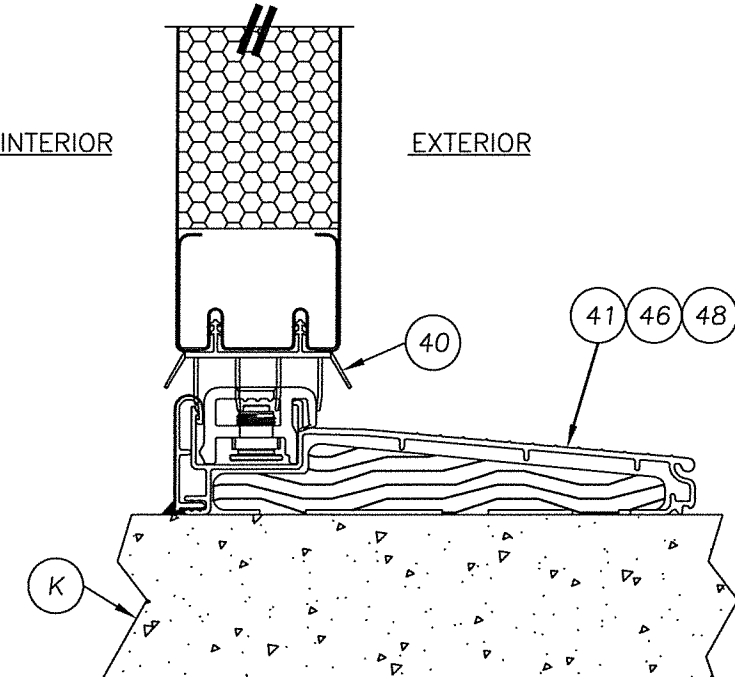
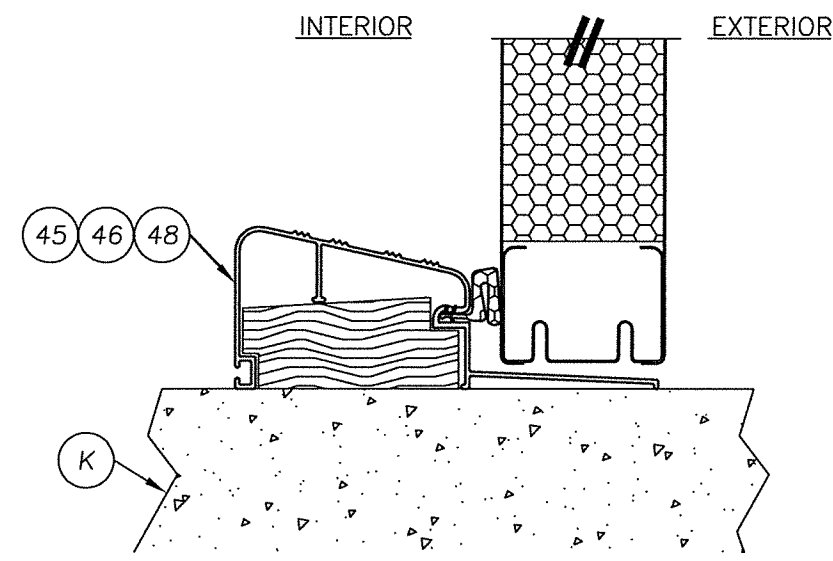
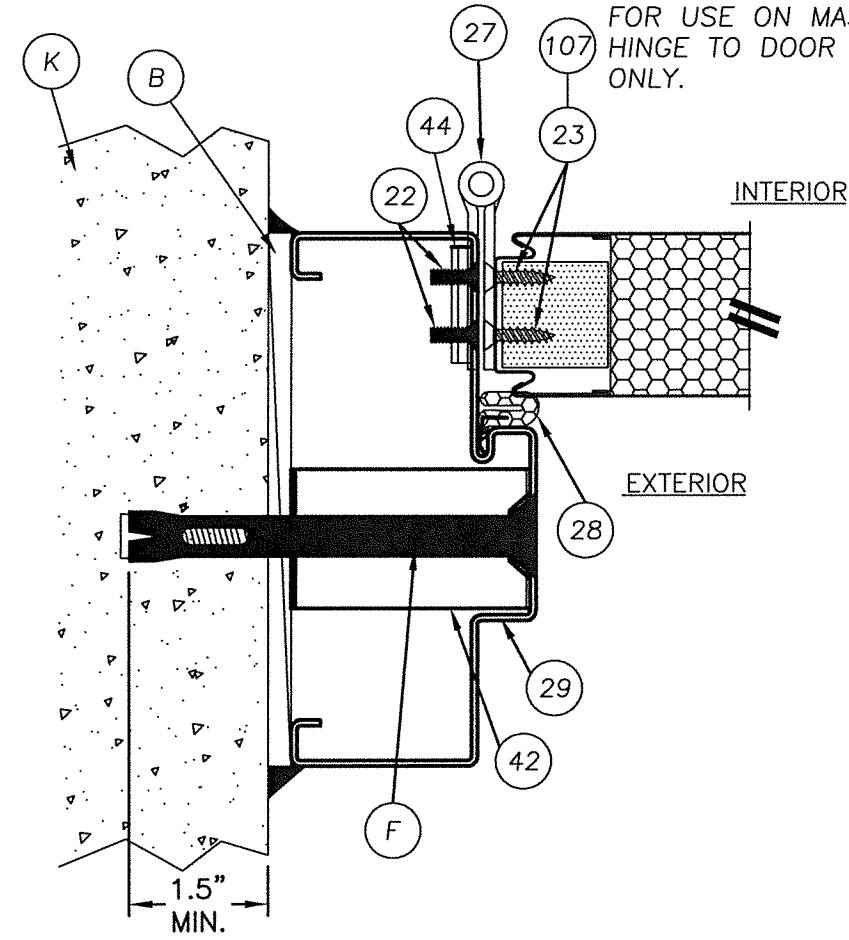
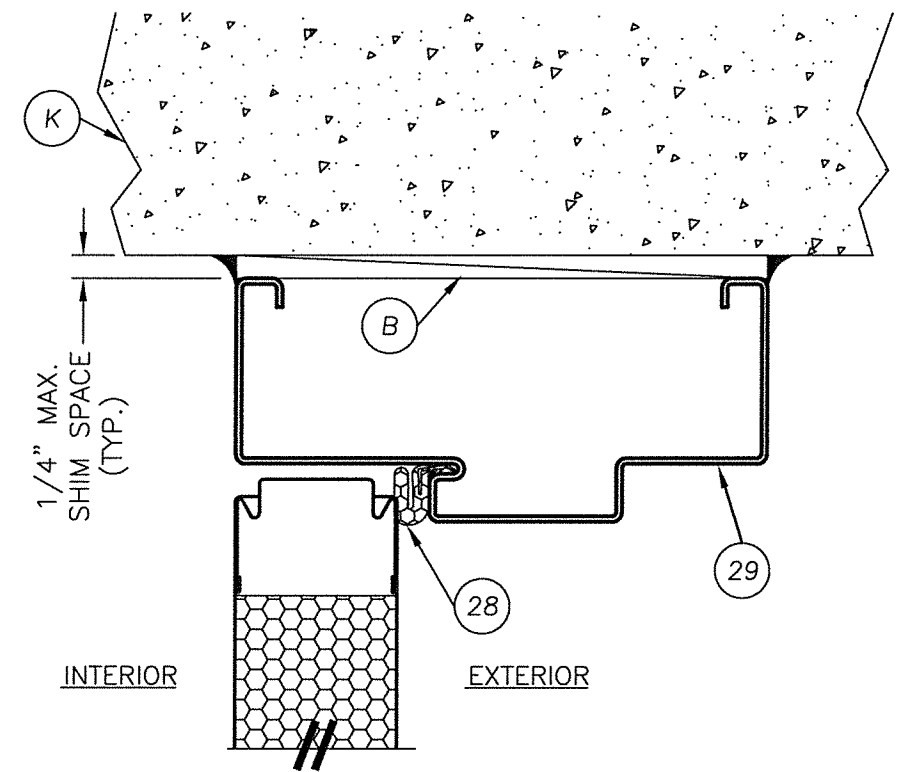
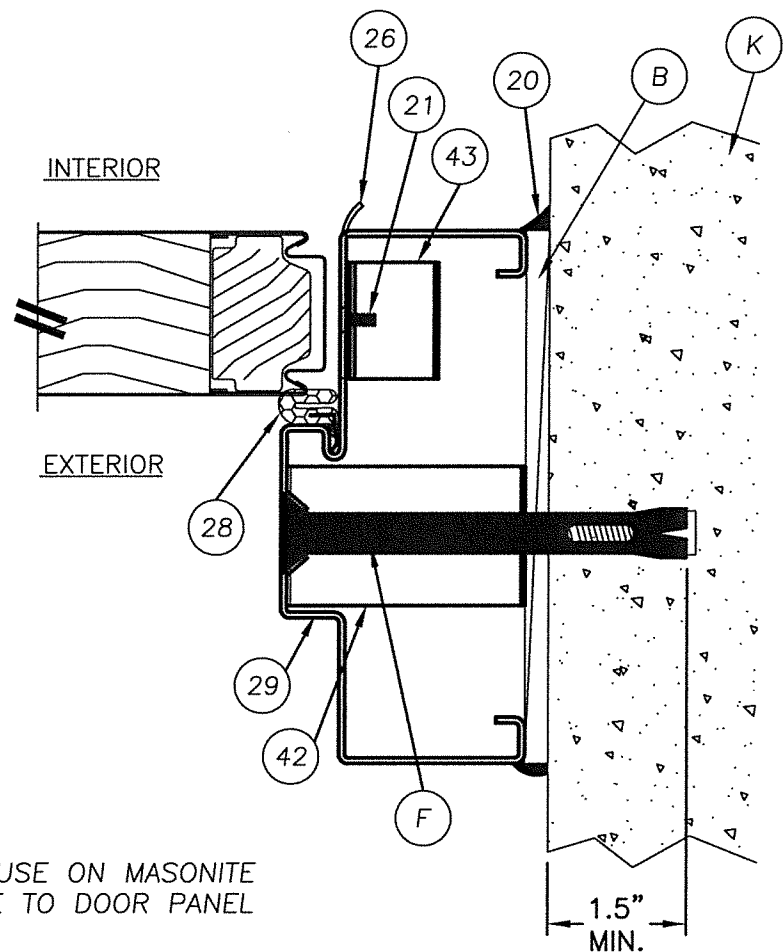
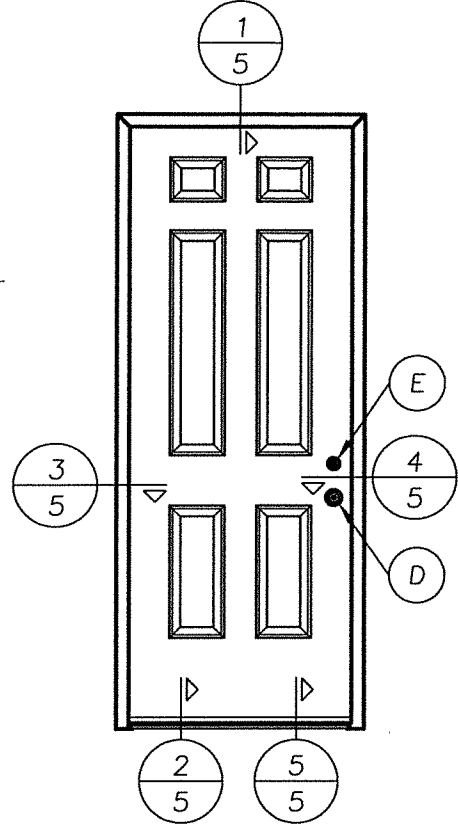
DWG. BY: EW

CHK. BY: LFS

DRAWING NO.:
FL-9231.2

SHEET 4 OF 7

R:\Clients\Dunbarton Permanent\A - Florida Product Approvals\FL-9231 - Swinging Ext Doors - Rediframe PD\C - Drawings\FL 9231 (2020)\FL-9231.2.dwg, 5



FOR USE ON MASONITE HINGE TO DOOR PANEL ONLY.

1/4" MAX. SHIM SPACE (TYP.)

1.5" MIN.

1.5" MIN.

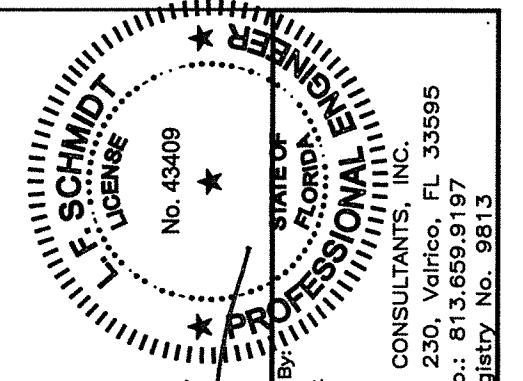
3 HORIZONTAL CROSS SECTION
5 INSWING SHOWN (OUTSWING SIMILAR) MASONRY CONSTRUCTION

4 HORIZONTAL CROSS SECTION
5 INSWING SHOWN (OUTSWING SIMILAR) MASONRY CONSTRUCTION

5 VERTICAL CROSS SECTION
5 @ THRESHOLD MASONRY CONSTRUCTION

1 VERTICAL CROSS SECTION
5 INSWING SHOWN (OUTSWING SIMILAR) MASONRY CONSTRUCTION

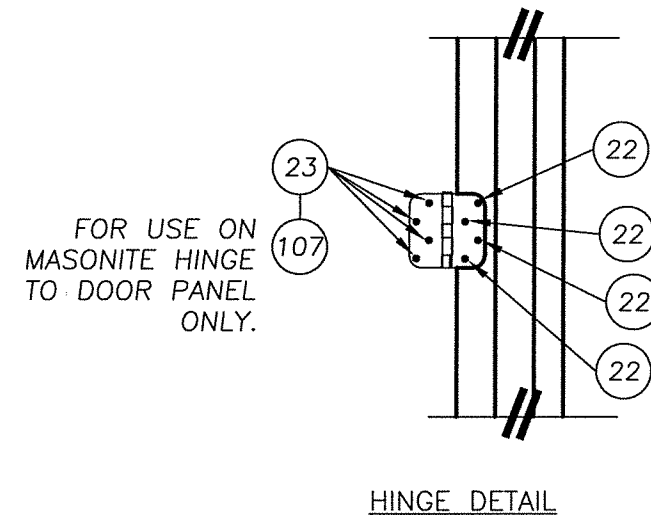
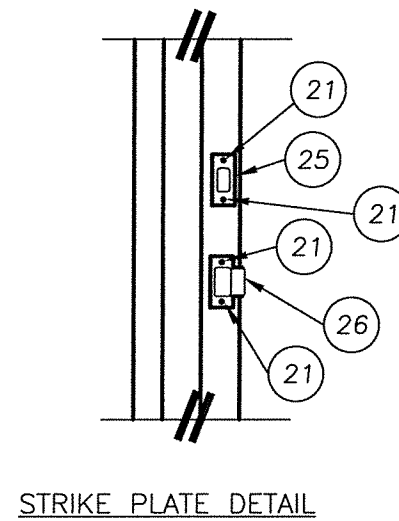
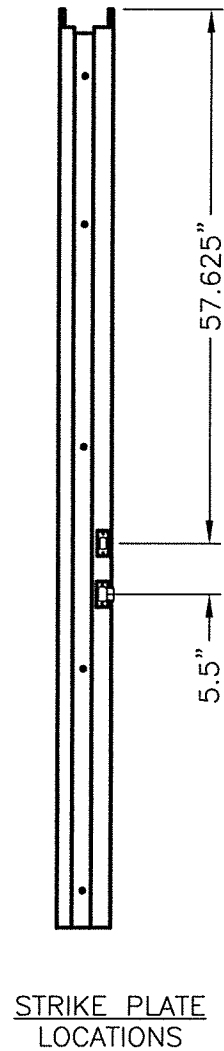
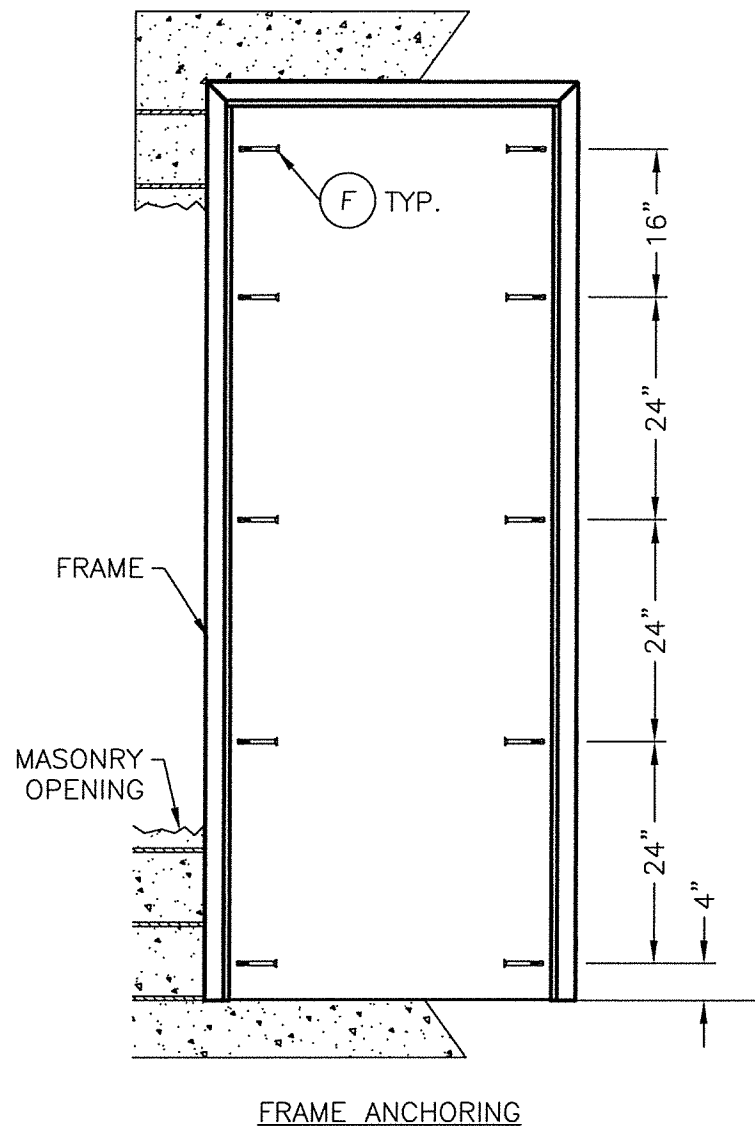
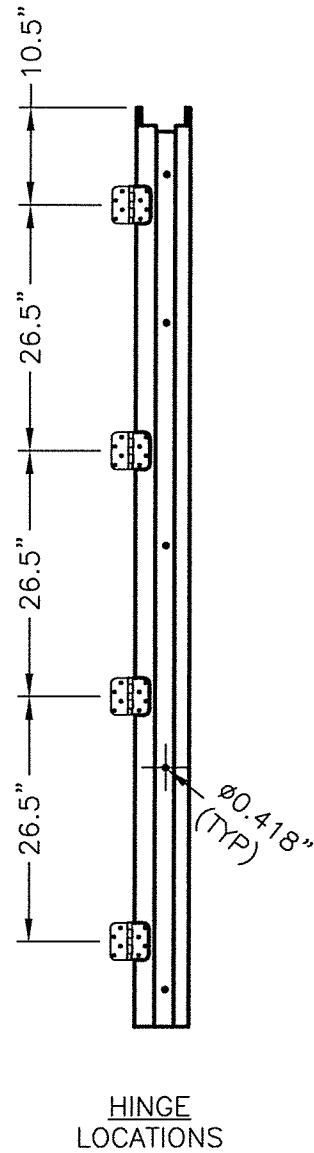
2 VERTICAL CROSS SECTION
5 @ THRESHOLD MASONRY CONSTRUCTION



Documents Prepared By:
Lyndon F. Schmidt
P.E. No. 43409
8-11-20
R.W.
BUILDING CONSULTANTS, INC.
P.O. Box 230, Valrico, FL 33595
Phone No.: 813.659.9197
FBPE Registry No. 9813

| | | | | | |
|------------------------|----------|---|-----|-----|----|
| PRODUCT: | | DUNBARTON STEEL DOORS IN A HOLLOW METAL FRAME PART OR ASSEMBLY: | | | |
| | | HORIZONTAL & VERTICAL CROSS SECTIONS | | | |
| | | LFS | FBC | JFK | JK |
| 4 | 8/11/20 | UPDATE TO 7TH ED. (2020) | FBC | | |
| 3 | 9/2/17 | UPDATE TO 6TH ED. (2017) | FBC | | |
| 2 | 3/18/15 | UPDATE TO 5TH ED. (2014) | FBC | | |
| 1 | 10/18/12 | REVISE TO 2010 FBC | | | |
| NO. | DATE | REVISIONS | | | |
| DATE: 07/26/07 | | | | | |
| SCALE: N.T.S. | | | | | |
| DWG. BY: EW | | | | | |
| CHK. BY: LFS | | | | | |
| DRAWING NO.: FL-9231.2 | | | | | |
| SHEET 5 OF 7 | | | | | |

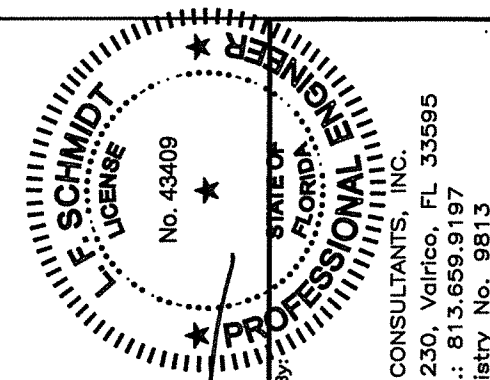
© 2007 R.W. BUILDING CONSULTANTS INC.



CONCRETE ANCHOR NOTES:

1. Substitution of equal concrete anchors from a different supplier may have different edge distance and center distance requirements.
2. Concrete anchor locations at the corners may be adjusted to maintain the min. edge distance to mortar joints. If concrete anchor locations noted as "MAX. ON CENTER" must be adjusted to maintain the min. edge distance to mortar joints, additional concrete anchors may be required to ensure the "MAX. ON CENTER" dimensions are not exceeded.
3. Concrete anchor table:

| ANCHOR TYPE | ANCHOR SIZE | MIN. EMBEDMENT | MIN. CLEARANCE TO MASONRY EDGE | MIN. CLEARANCE TO ADJACENT ANCHOR |
|------------------------|-------------|----------------|--------------------------------|-----------------------------------|
| DYNABOLT SLEEVE ANCHOR | 3/8" | 1-1/2" | 2-1/4" | 4-1/2" |



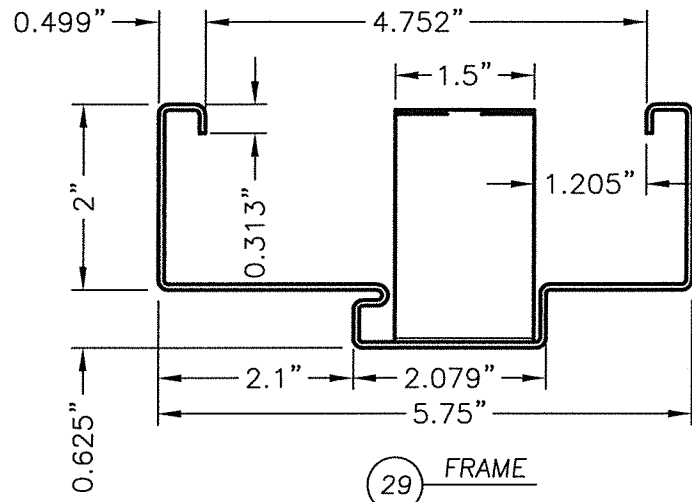
Documents Prepared By:
Lyndon F. Schmidt
P.E. No. 43409
8.11.20
R.W.
BUILDING CONSULTANTS, INC.
P.O. Box 230, Valrico, FL 33595
Phone No.: 813.659.9197
FBPE Registry No. 9813

| | | | | | |
|----------|----------|---|-----|-----------------|----|
| PRODUCT: | | DUNBARTON STEEL DOORS IN A HOLLOW METAL FRAME PART OR ASSEMBLY: | | FRAME ANCHORING | |
| NO. | DATE | REVISIONS | BY | JK | JK |
| 4 | 8/11/20 | UPDATE TO 7TH ED. (2020) FBC | LFS | | |
| 3 | 9/2/17 | UPDATE TO 6TH ED. (2017) FBC | LFS | | |
| 2 | 3/18/15 | UPDATE TO 5TH ED. (2014) FBC | JK | | |
| 1 | 10/18/12 | REVISE TO 2010 FBC | JK | | |

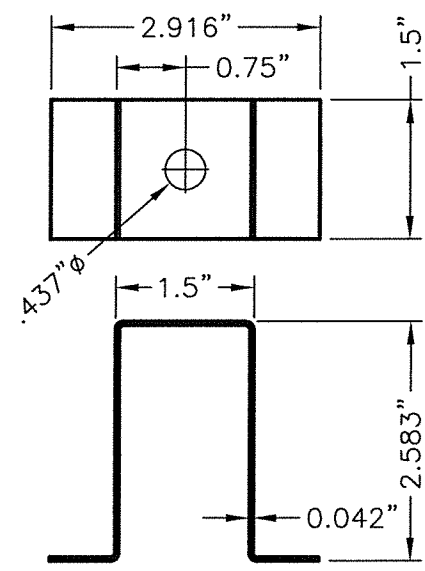
DATE: 07/26/07
SCALE: N.T.S.
DWG. BY: EW
CHK. BY: LFS
DRAWING NO.: FL-9231.2
SHEET 6 OF 7

R:\Clients\Dunbarton Permanent\A - Florida Product Approvals\FL-9231 - Swinging Ext Doors - Rediframe PD/C - Drawings\FL 9231 (2020)\FL-9231.2.dwg, 7

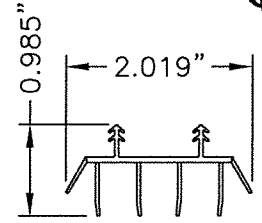
| BILL OF MATERIALS | | |
|-------------------|--|--------------|
| ITEM | DESCRIPTION | MATERIAL |
| B | 1/4" MAX. SHIM SPACE | WOOD |
| D | PASSAGE LOCK WES LOCK (600 SERIES) | STEEL |
| E | DEADBOLT WES LOCK (MODEL 371) | STEEL |
| D | PASSAGE LOCK YALE (YH COLLECTION SERIES) | STEEL |
| E | DEADBOLT YALE (YH COLLECTION SERIES) | STEEL |
| D | KWIKSET SERIES (200) PASSAGE LOCK | STEEL |
| E | KWIKSET SERIES (600) DEADBOLT | STEEL |
| F | 3/8" ITW DYNABOLT SLEEVE ANCHOR | STEEL |
| K | MASONRY - 3,000 PSI MIN. CONCRETE CONFORMING TO ACI 301 OR HOLLOW BLOCK CONFORMING TO ASTM C90 | CONCRETE |
| 20 | SEALANT | SILICONE |
| 21 | #6 X 1-1/2" PFH SMS | STEEL |
| 22 | #7 X 3/4" PFH SCREW | STEEL |
| 23 | #9 X 3/4" PFH SCREW | STEEL |
| 25 | DEADBOLT STRIKE PLATE | STEEL |
| 26 | LATCH STRIKE PLATE | STEEL |
| 27 | HINGE | STEEL |
| 28 | WEATHERSTRIP | FOAM |
| 29 | HOLLOW METAL FRAME SYSTEM | STEEL |
| 40 | DOOR BOTTOM SWEEP | VINYL |
| 41 | ENDURA ADJUSTABLE INSWING THRESHOLD | ALUM./WOOD |
| 42 | EXPANSION ANCHOR BRACKET ASTM A653 GR. 33 | STEEL |
| 43 | STRIKE BOX | STEEL |
| 44 | HINGE REINFORCEMENT | STEEL |
| 45 | QOSR OUTSWING THRESHOLD | ALUM./COMP. |
| 46 | ADA THRESHOLD | ALUMINUM |
| 85 | STEEL DOOR SKIN - 0.022" THK. (TAYLOR STEEL DOOR) | STEEL |
| 86 | FOAM CORE: 2.0 lbs/FT ³ DENSITY, Baytherm 863 (TAYLOR STL. DOOR) | POLYURETHANE |
| 87 | HINGE REINFORCEMENT (TAYLOR STEEL DOOR) | STEEL |
| 88 | LOCK BLOCK SPRUCE-PINE-FIR SG=.42 OR BETTER (TAYLOR STL. DOOR) | WOOD |
| 90 | LATCH STILE REINFORCEMENT (JELD-WEN STEEL DOOR) | WOOD |
| 91 | HINGE STILE REINFORCEMENT (JELD-WEN STEEL DOOR) | WOOD/COMP. |
| 92 | BOTTOM RAIL (JELD-WEN STEEL DOOR) | STEEL |
| 93 | HINGE / LATCH STILE & TOP RAIL (JELD-WEN STEEL DOOR) | STEEL |
| 94 | STEEL DOOR SKIN - 0.020" THK. (JELD-WEN STEEL DOOR) | STEEL |
| 95 | FOAM CORE -EPS 1.0 LBS. lbs/FT DENSITY (JELD-WEN STEEL DOOR) | POLYSTYRENE |
| 96 | LOCK BLOCK (JELD-WEN STEEL DOOR) | WOOD |
| 100 | STEEL DOOR SKIN - 0.020" THK. (MASONITE STEEL DOOR) | STEEL |
| 101 | FOAM CORE (BASF 2.0 to 2.5lbs./FT (MASONITE STL DOOR) | POLYURETHANE |
| 102 | DOOR TOP RAIL (MASONITE STEEL DOOR) | WOOD |
| 103 | DOOR BOTTOM RAIL (MASONITE STEEL DOOR) | COMPOSITE |
| 104 | PLASTIC LOCK RING (MASONITE STEEL DOOR) | PLASTIC |
| 105 | LOCK RING STYLE (MASONITE STEEL DOOR) | WOOD |
| 106 | HINGE REINFORCEMENT 14 GA. (MASONITE STEEL DOOR) | STEEL |
| 107 | HINGE TO DOOR SCREW #10-24x1/2" PFH M.S.(MASONITE STEEL DOOR) | STEEL |
| 108 | DOOR STYLE CLOSURE DETAIL (MASONITE STEEL DOOR) | STEEL |



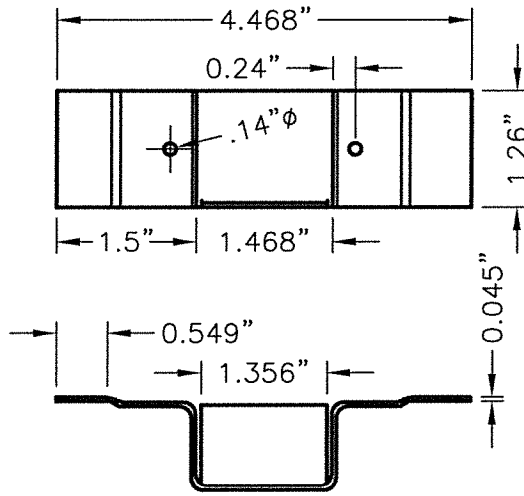
29 FRAME



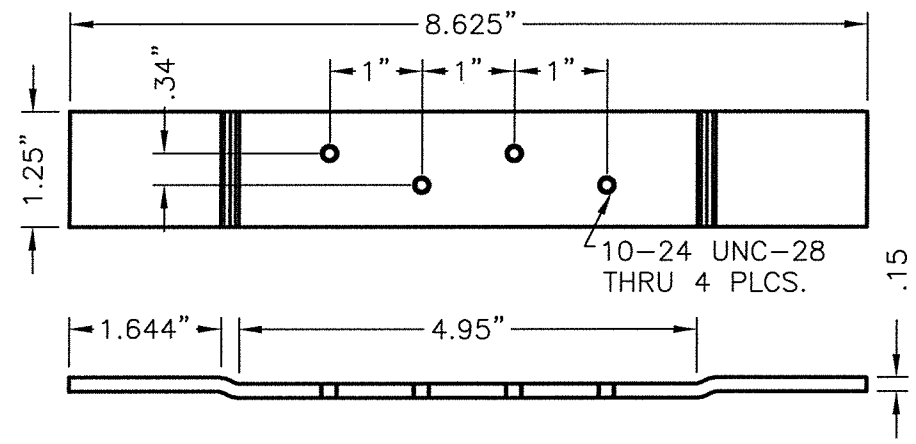
42 EXPANSION ANCHOR BRACKET



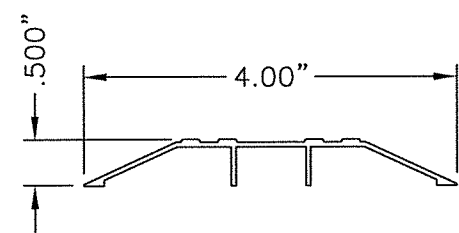
40 SWEEP



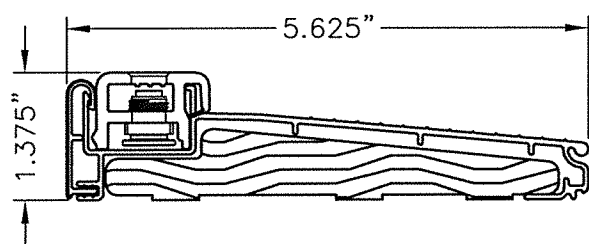
43 STRIKE BOX



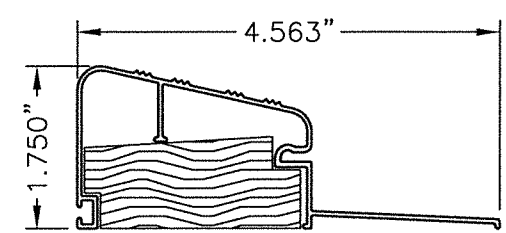
44 HINGE REINFORCEMENT



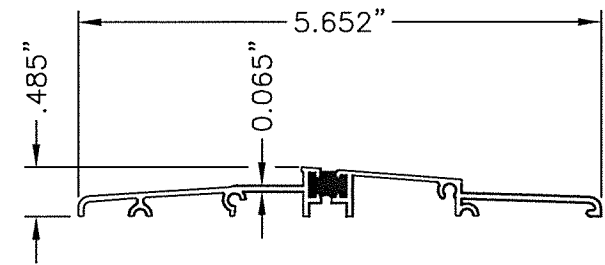
46 ADA THRESHOLD



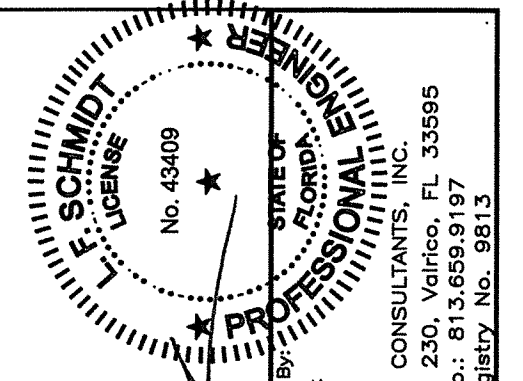
41 INSWING THRESHOLD



45 OUTSWING THRESHOLD



48 ADA LOW PROFILE THRESHOLD



Documents Prepared By:
Lyndon F. Schmidt
P.E. No. 43409

RW

BUILDING CONSULTANTS, INC.
P.O. Box 230, Valrico, FL 33595
Phone No.: 813.659.9197
FBPE Registry No. 9813

PRODUCT: DUNBARTON STEEL DOORS IN A HOLLOW METAL FRAME
PART OR ASSEMBLY: BILL OF MATERIALS & COMPONENTS

| NO. | DATE | REVISIONS |
|-----|----------|------------------------------|
| 4 | 8/11/20 | UPDATE TO 7TH ED. (2020) FBC |
| 3 | 9/2/17 | UPDATE TO 6TH ED. (2017) FBC |
| 2 | 3/18/15 | UPDATE TO 5TH ED. (2014) FBC |
| 1 | 10/18/12 | REVISE TO 2010 FBC |

DATE: 07/26/07
SCALE: N.T.S.
DWG. BY: EW
CHK. BY: LFS
DRAWING NO.: FL-9231.2
SHEET 7 OF 7